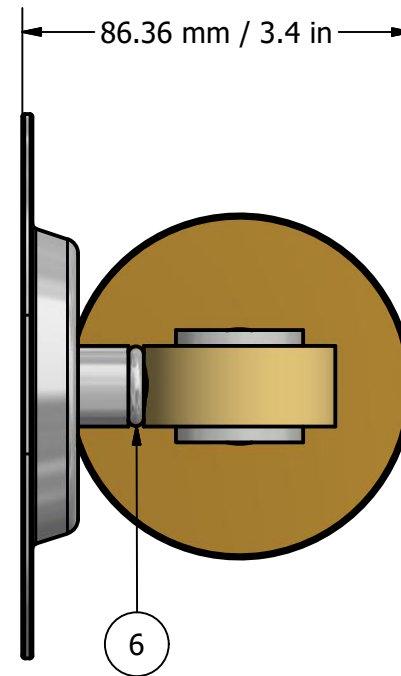
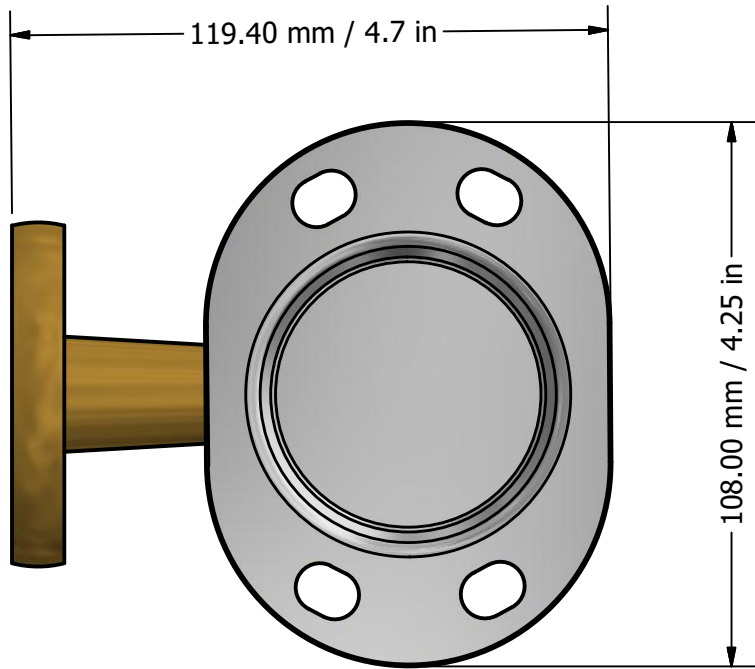
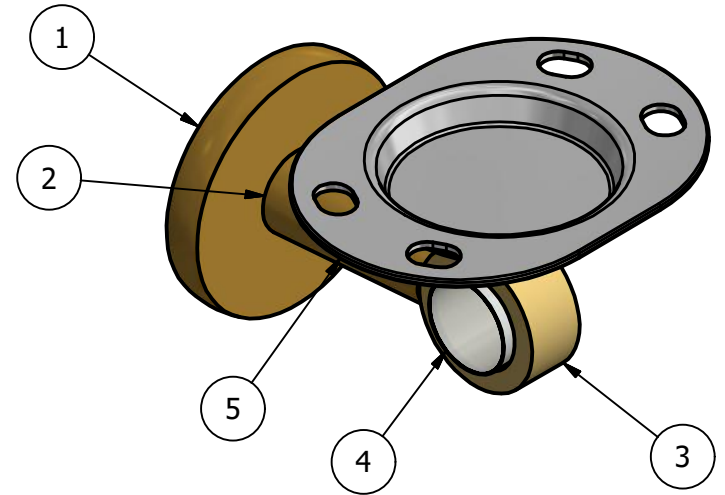


PARTS LIST			
ITEM	QTY	PART NUMBER	DESCRIPTION
1	1	BPRD	BACKPLATE
2	1	CL-TB	POST
3	1	RGSMD-1	RING WITH NEW SIZE
4	1	AC-HHUB	ACRYLIC POST
5	1	HROVT	HOLDER
6	1	CRRD-12	CHECK RING



UNLESS OTHERWISE SPECIFIED	
.X	± .3mm
.XX	± .15mm
.XXX	± .008mm

UNIT IS IN MM.

DRAWN	10-15-18	IM	CHECKED	10-15-18	P.D.	APPROVED	10-15-18	R.A.
COPYRIGHT @ALLIEDBRASS 2018			THIRD ANGLE PROJECTION					

MATERIAL:	BRASS
DESCRIPTION:	Clearview Collection Tumbler and Toothbrush Holder



APPROVED FOR PRODUCTION
By: RICHARD PAUL
Date: 10-15-18

FINISH	TBD
QTY	TBD
DRAWING NO.	CV-26
SCALE	1.5:1
SHEET: 1 OF 1	REV 0